

# Arcos

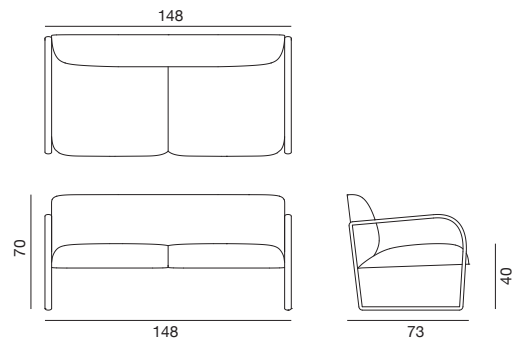
Design by Jean-Marie Massaud, 2006

## Art. 1922 6102

Executive armchair with aluminium pedestal swivel base (Art. 1922), also available with the seat return mechanism (Art. 1923). The shell support and the spring providing tilt movement are available in the same finishes of the base. The polyurethane shell is upholstered in leather, coated fabric, fabric, or customer's material.



### Dimensions \*



\* File CAD 2D - 3D available for download at [www.arper.com](http://www.arper.com)

### Frame Base



### Shell

#### Carded In



#### Graded In

**kvadrat**

**camira**

**Gabriel®**

arper

info@arper.com

www.arper.com

# Arcos

Design by Jean-Marie Massaud, 2006

---

Link Kit Art. 5467

USB Art. 6001





Armrests CI - only pad

---

## SHIPMENT DETAILS

### Art.1922

1 pz = 1  - kg 27,5/ m<sup>2</sup> 0,83  
1 pz = 1  - kg 27/ m<sup>2</sup> 1,063

---

## TECHNICAL SPECIFICATIONS

### Art.1922

COL requirement m<sup>2</sup> 4.2  
H 140 cm. COM Meterage m 2.09

### Art.6102

COL requirement m<sup>2</sup> 9.1  
H 140 cm. COM Meterage m 4.08  
\*Classe 1, 2, 11M: fire retardant version available with surcharge and eventual minimum batch

---

## RESISTANCE TEST

- EN 1728:2000 - EN 15373:2007 6.10
- EN 1728:2000 - EN 15373:2007 6.16
- EN 1728:2000 - EN 15373:2007 6.2.1
- EN 1728:2000 - EN 15373:2007 6.5
- EN 1728:2000 - EN 15373:2007 6.7
- EN 1728:2012 - EN 16139:2013 6.10
- EN 1728:2012 - EN 16139:2013 6.15
- EN 1728:2012 - EN 16139:2013 6.17
- EN 1728:2012 - EN 16139:2013 6.20
- EN 1728:2012 - EN 16139:2013 6.25
- EN 1728:2012 - EN 16139:2013 6.4
- EN 1022:05
- EN 1728:2012 - EN 16139:2013 6. 6
- EN 1728:2000 - EN 15373:2007 6.15
- EN 1728:2000 - EN 15373:2007 6.17
- EN 1728:2000 - EN 15373:2007 6.2.2
- EN 1728:2000 - EN 15373:2007 6.6
- EN 1728:2000 - EN 15373:2007 6.8
- EN 1728:2012 - EN 16139:2013 6.11
- EN 1728:2012 - EN 16139:2013 6.16
- EN 1728:2012 - EN 16139:2013 6.18
- EN 1728:2012 - EN 16139:2013 6.24
- EN 1728:2012 - EN 16139:2013 6.26
- EN 1728:2012 - EN 16139:2013 6.5
- EN 1335-3:2009 7.1
- EN 1728:2012 - EN 16139:2013 6.27.1

---

## ENVIRONMENTAL CERTIFICATIONS



arper

www.arper.com  
info@arper.com

www.arper.com